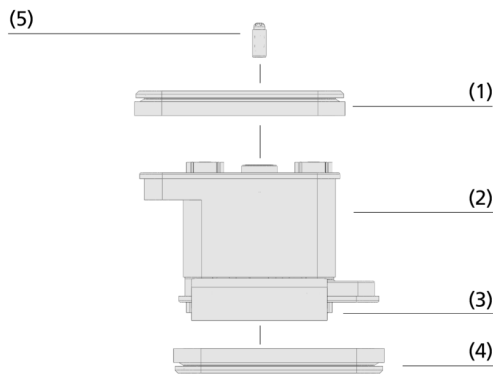


Vacuum Blocks VCBL-K2

Height 50 mm, 75 mm, 100 mm and 125 mm



Vacuum Blocks VCBL-K2



System design Vacuum Blocks VCBL-K2



Vacuum blocks VCBL-K2 for clamping a workpiece

Suitability for industry specific applications

Application

- Hose-free vacuum clamping system for CNC machining centers with console table (2-circuit system)
- The vacuum blocks are pre-fixed to the consoles by means of vacuum and secured against movement during setup
- Safe and precise clamping of the workpiece and the vacuum blocks on the console with the second vacuum circuit
- The optional touch valve allows unneeded vacuum blocks to remain on the machine table
- Damage-free clamping with highest precision and holding force

Design

- Top suction plate (1) for fixing the workpiece
- Robust main body (2) made of plastic
- Guide strip (3) for easy positioning on the console
- Bottom suction plate (4) for fixing the vacuum block on the console
- Optional touch valve (5)

Product highlights

- Highest holding forces in wood applications thanks to optimized seals and friction pads
- Highest dimensional accuracy for more precision in the production process
- Wide range of products offers maximum flexibility and enables short set-up times
- Suction plates can be replaced quickly, easily and economically without tools

Vacuum Blocks VCBL-K2

Height 50 mm, 75 mm, 100 mm and 125 mm

Designation code Vacuum Blocks VCBL-K2

VCBL-K2	-	125x75	-	x50	-	Q	-	TV
1		2		3		4		5

1 – Abbreviated designation

Code	Type
VCBL-K2	Vacuum block, 2-circuit console system

2 – Suction area

Code	LxW in mm
140x115...	140x115 to 130x30
130x30	

3 – Height

Code	Height in mm
x50...	50 to 125
x200	

4 – Product addition

Code	Type
D-360	Rotatable by 360°
L	Mounted lengthwise
Q	Mounted crosswise

5 – Product addition

Code	Type
AS	With lifting system



The vacuum block VCBL-K2 is delivered assembled. The assembly consists of:

- Top suction plate type VCSP-O - elastomer part, available in different dimensions and suction areas
- Main body made of plastic
- Bottom suction plate type VCSP-U - elastomer part






Available spare parts: suction plate (top), wear part set, suction plate (bottom), sealing frame, friction plate, spare part set with steel inserts

Available accessories: suction plate foam rubber

Ordering data Vacuum Blocks VCBL-K2

Type			Dimension (LxW):			
			140x115	125x75	120x50	130x30
VCBL-K2	50	-	10.01.12.00626 	-	-	-
VCBL-K2	50	D-360	-	10.01.12.00629	10.01.12.00874	-
VCBL-K2	50	L	-	10.01.12.00628	10.01.12.00771	10.01.12.00647
VCBL-K2	50	Q	-	10.01.12.00644 	10.01.12.00772	10.01.12.00646

Type			Dimension (LxW):			
			140x115	125x75	120x50	130x30
VCBL-K2	75	-	10.01.12.02136	-	-	-
VCBL-K2	75	D-360	-	10.01.12.02211	10.01.12.02212	-
VCBL-K2	75	L	-	10.01.12.02200	10.01.12.02204	10.01.12.02208
VCBL-K2	75	Q	-	10.01.12.02199	10.01.12.02203	10.01.12.02207

Type			Dimension (LxW):			
			140x115	125x75	120x50	130x30
VCBL-K2	100	-	10.01.12.00445 	-	-	-
VCBL-K2	100	-	AS 10.01.12.00446	-	-	-
VCBL-K2	100	D-360	-	10.01.12.01079	10.01.12.01020	-
VCBL-K2	100	L	-	10.01.12.00506 	10.01.12.00853 	10.01.12.00855
VCBL-K2	100	Q	-	10.01.12.00447 	10.01.12.00126 	10.01.12.00854





Type			Dimension (LxW):			
			140x115	125x75	120x50	130x30
VCBL-K2	125	-	10.01.12.02116	-	-	-
VCBL-K2	125	D-360	-	10.01.12.02593	10.01.12.02594	-
VCBL-K2	125	L	-	10.01.12.02124	10.01.12.02125	10.01.12.02126
VCBL-K2	125	Q	-	10.01.12.02118	10.01.12.02119	10.01.12.02120

Vacuum Blocks VCBL-K2

Height 50 mm, 75 mm, 100 mm and 125 mm

Ordering data Spare parts Vacuum Blocks VCBL-K2


Type	Spare parts			Part no.	
VCBL-K2	140 x 115	50	Suction plate (top)	VCSP-O 140x115x16.5 TPE	10.01.12.00488 
VCBL-K2	125 x 75	50	Suction plate (top)	VCSP-O 125x75x16.5 TPE	10.01.12.00011 
VCBL-K2	120 x 50	50	Suction plate (top)	VCSP-O 120x50x15.5 TPE	10.01.12.00012 
VCBL-K2	130 x 30	50	Set of parts subject to wear	VST VCSP	10.01.12.00702
VCBL-K2	140 x 115	75	Suction plate (top)	VCSP-O 140x115x16.5 TPE	10.01.12.00488 
VCBL-K2	125 x 75	75	Suction plate (top)	VCSP-O 125x75x16.5 TPE	10.01.12.00011 
VCBL-K2	120 x 50	75	Suction plate (top)	VCSP-O 120x50x15.5 TPE	10.01.12.00012 
VCBL-K2	130 x 30	75	Set of parts subject to wear	VST VCSP 130x30	10.01.12.02348
VCBL-K2	140 x 115	100	Suction plate (top)	VCSP-O 140x115x16.5 TPE	10.01.12.00488 
VCBL-K2	125 x 75	100	Suction plate (top)	VCSP-O 125x75x16.5 TPE	10.01.12.00011 
VCBL-K2	120 x 50	100	Suction plate (top)	VCSP-O 120x50x15.5 TPE	10.01.12.00012 
VCBL-K2	130 x 30	100	Set of parts subject to wear	VST VCSP	10.01.12.00723
VCBL-K2	140 x 115	125	Suction plate (top)	VCSP-O 140x115x16.5 TPE	10.01.12.00488 
VCBL-K2	125 x 75	125	Suction plate (top)	VCSP-O 125x75x16.5 TPE	10.01.12.00011 
VCBL-K2	120 x 50	125	Suction plate (top)	VCSP-O 120x50x15.5 TPE	10.01.12.00012 
VCBL-K2	130 x 30	125	Set of parts subject to wear	VST VCSP 130x30	10.01.12.02348

Type	Spare parts			Part no.	
VCBL-K2	140 x 115		Suction plate (bottom)	VCSP-U 140x115x16.5 VCBL-K2 TPE	10.01.12.00798 
VCBL-K2	125 x 75		Suction plate (bottom)	VCSP-U 140x115x16.5 VCBL-K2 TPE	10.01.12.00798 
VCBL-K2	120 x 50		Suction plate (bottom)	VCSP-U 140x115x16.5 VCBL-K2 TPE	10.01.12.00798 
VCBL-K2	130 x 30		Suction plate (bottom)	VCSP-U 140x115x16.5 VCBL-K2 TPE	10.01.12.00798 

Type	Sealing frame	Friction plate
VCBL-K2	130x30	10.01.12.00804
		10.01.12.00805

Type	Spare parts			Part no.
VCBL-K2	Set of spare parts	Metal strips for bottom suction plate	ERS VCBL-Einleger	10.01.12.00618

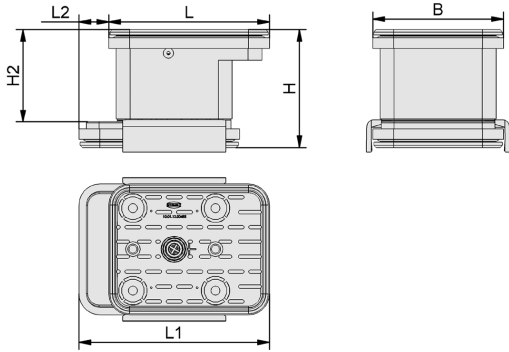
Ordering data Accessories Vacuum Blocks VCBL-K2

Type	Accessories			Part no.	
VCBL-K2	140x115	Suction plate (top)	Foam rubber suction plate	VCSP-O 140x115x18.5 MOS TPE	10.01.12.03507 
VCBL-K2	125x75	Suction plate (top)	Foam rubber suction plate	VCSP-O 125x75x17.7 MOS TPE	10.01.12.03511 

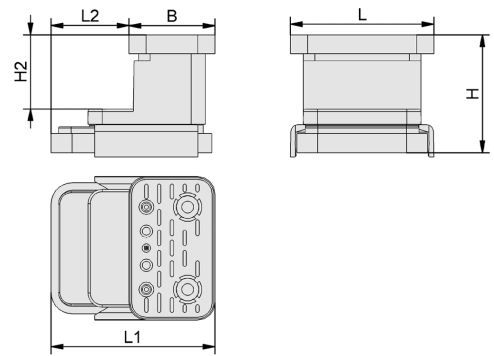
Vacuum Blocks VCBL-K2

Height 50 mm, 75 mm, 100 mm and 125 mm

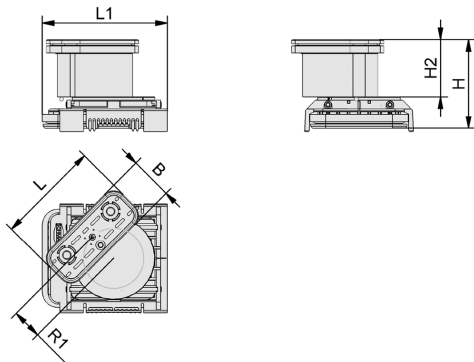
Design data Vacuum Blocks VCBL-K2



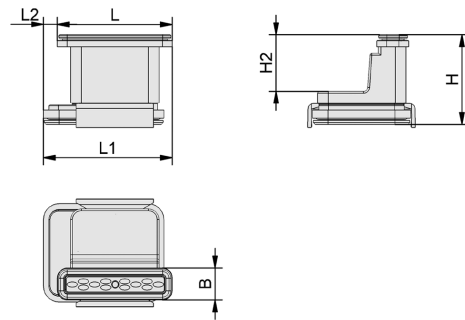
VCBL-K2 140x115



VCBL-K2 Q



VCBL-K2 D-360



VCBL-K2 L

Vacuum Blocks VCBL-K2

Height 50 mm, 75 mm, 100 mm and 125 mm

Design data Vacuum Blocks VCBL-K2

Type	B [mm]	H [mm]	H2 [mm]	L [mm]	L1 [mm]	L2 [mm]	R1 [mm]
VCBL-K2 140x115x50	115	50	17	140	170	26	-
VCBL-K2 125x75x50 D-360	75	50	16	125	145	-	24
VCBL-K2 125x75x50 L	75	50	17	125	145	21	-
VCBL-K2 125x75x50 Q	75	50	17	125	145	68	-
VCBL-K2 120x50x50 D-360	50	50	16	120	145	-	12
VCBL-K2 120x50x50 L	50	50	17	120	145	23	-
VCBL-K2 120x50x50 Q	50	50	17	120	145	94	-
VCBL-K2 130x30x50 L	30	50	17	130	145	103	-
VCBL-K2 130x30x50 Q	30	50	17	130	145	18	-
VCBL-K2 140x115x75	115	75	54	140	166	26	-
VCBL-K2 125x75x75 D-360	75	75	41	125	145	-	24
VCBL-K2 125x75x75 L	75	75	38	125	155	21	-
VCBL-K2 125x75x75 Q	75	75	38	125	146	71	-
VCBL-K2 120x50x75 D-360	50	75	41	120	145	-	35
VCBL-K2 120x50x75 L	50	75	38	120	143	24	-
VCBL-K2 120x50x75 Q	50	75	38	120	142	91	-
VCBL-K2 130x30x75 L	30	75	38	130	148	18	-
VCBL-K2 130x30x75 Q	30	75	38	130	140	100	-
VCBL-K2 140x115x100	115	100	75	140	166	26	-
VCBL-K2 140x115x100 AS	115	100	75	140	166	26	-
VCBL-K2 125x75x100 D-360	75	100	65	125	145	-	24
VCBL-K2 125x75x100 L	75	100	63	125	145	21	-
VCBL-K2 125x75x100 Q	75	100	63	125	145	68	-
VCBL-K2 120x50x100 D-360	50	100	65	120	145	-	35
VCBL-K2 120x50x100 L	50	100	63	120	145	23	-
VCBL-K2 120x50x100 Q	50	100	63	120	145	68	-
VCBL-K2 130x30x100 L	30	100	63	130	149	16	-
VCBL-K2 130x30x100 Q	30	100	63	130	140	101	-
VCBL-K2 140x115x125	115	125	105	140	166	26	-
VCBL-K2 125x75x125 D-360	75	125	90	125	145	-	24
VCBL-K2 125x75x125 L	75	125	88	125	146	21	-
VCBL-K2 125x75x125 Q	75	125	88	125	146	72	-

Vacuum Blocks VCBL-K2

Height 50 mm, 75 mm, 100 mm and 125 mm

Type	B [mm]	H [mm]	H2 [mm]	L [mm]	L1 [mm]	L2 [mm]	R1 [mm]
VCBL-K2 120x50x125 D-360	50	125	90	120	145	-	35
VCBL-K2 120x50x125 L	50	125	88	120	143	23	-
VCBL-K2 120x50x125 Q	50	125	88	120	142	92	-
VCBL-K2 130x30x125 L	30	125	88	130	148	18	-
VCBL-K2 130x30x125 Q	30	125	88	130	140	100	-

Multimedia product presentation

Medium	Link
Product video	https://vimeo.com/178568576 https://vimeo.com/213842949 https://vimeo.com/260009196